

Croma

Overhead shower 280 1jet EcoSmart 9 l/min

Surfaces: **Polished Gold Optic** Article Number: **26221990**



Description

product features

- shower head size: 280 mm
- spray type: RainAir
- ball-joint: overhead shower angle adjustable
- material spray disc: metal
- maximum flow rate at 3 bar: 8,5 l/min
- flow rate RainAir spray (at 3 bar): 8,5 l/min
- minimum flow pressure: 2 bar
- spray disc removable for cleaning
- installation: ceiling or wall
- connection thread G ½
- connection dimension: DN15
- suitable for continuous flow water heaters

Technology



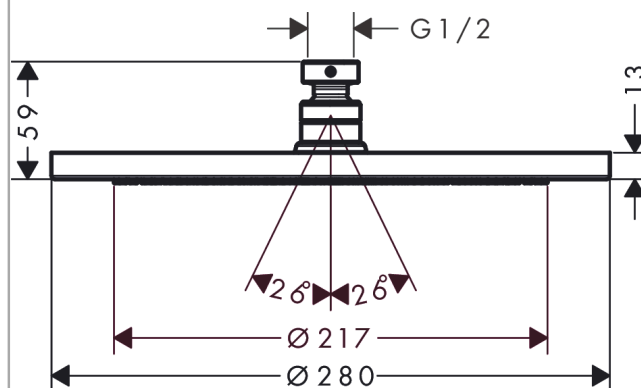
Design awards



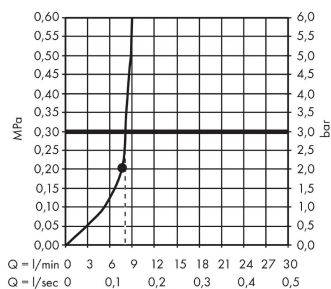
Product image



Scale drawing



Flowchart



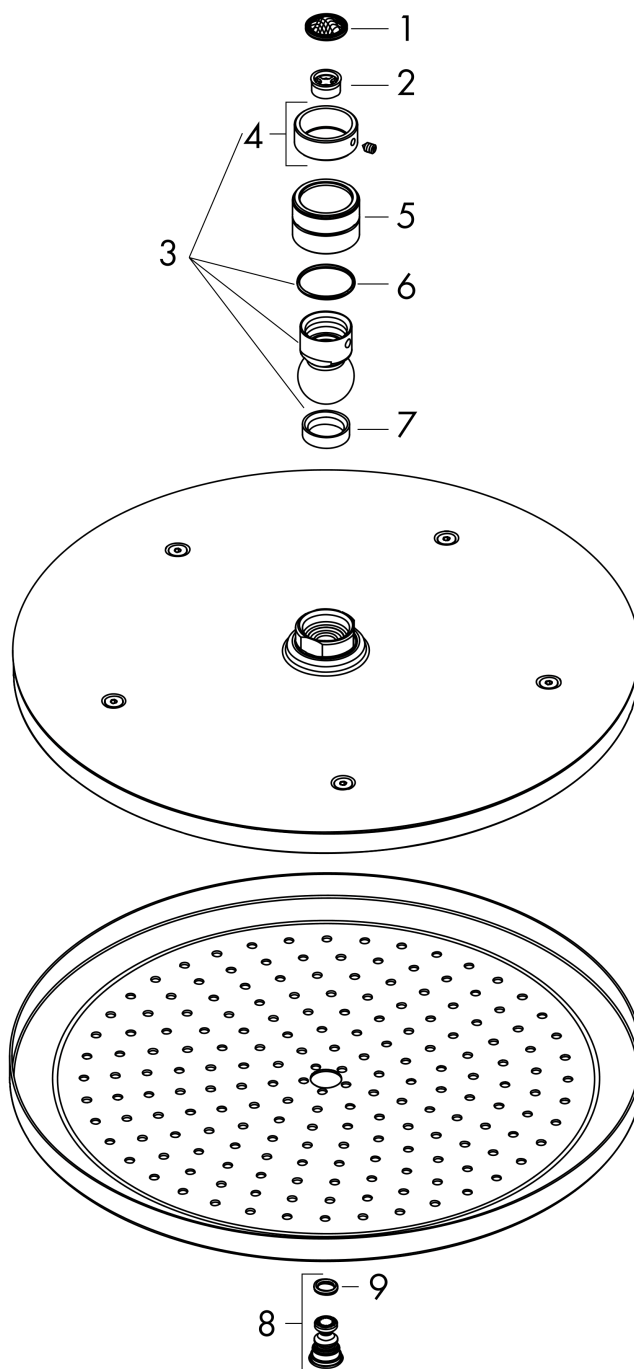
The consumption was measured in combination with the appropriate fittings (thermostat/mixer/ in-wall valve) to reflect actual application in practice.

Croma
Overhead shower 280 1jet EcoSmart 9 l/min
 Surfaces: **Polished Gold Optic** Article Number: **26221990**



Exploded Drawing

Year of production: >06/20



Croma**Overhead shower 280 1jet EcoSmart 9 l/min**Surfaces: **Polished Gold Optic** Article Number: **26221990****Spare part list**

Year of production: >06/20

Pos.	Description	Article Number	Price	PU
1	filter packing	94246000	€ 3,21	1
2	flow limiter (9 l/min)	95659000	€ 8,45	1
3	ball joint	98941990	€ 53,91	1
4	lock washer	98942990	€ 27,50	1
5	nut	97958990	€ 7,90	1
6	lever collar	97536000	€ 5,24	1
7	seal	97606000	€ 5,24	1
8	air jet (Eco)	95795990	€ 42,36	1
9	O-ring 7x2	98419000	€ 3,21	1